

Container mixer

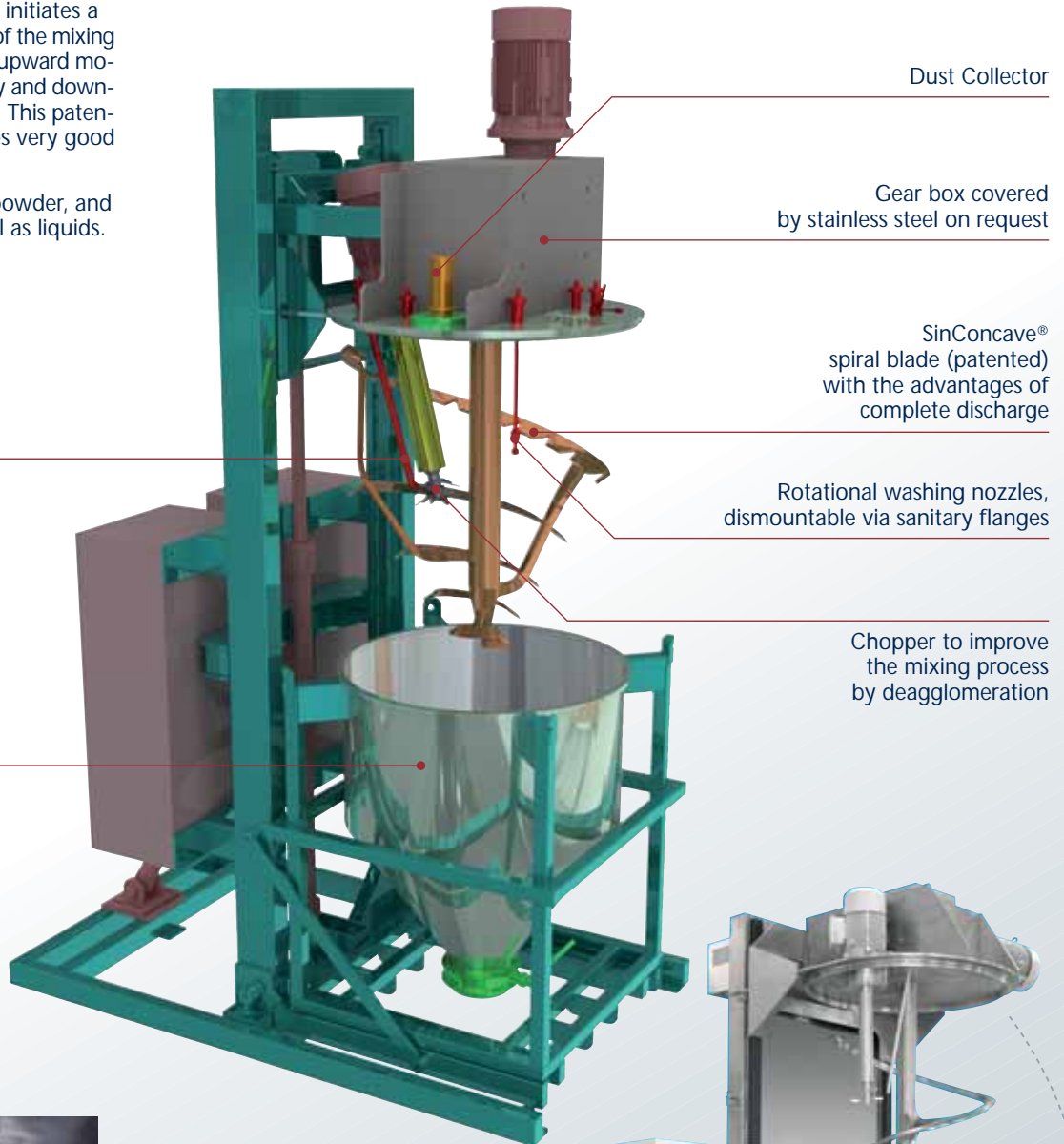
patented

Ideal mixing quality for dry and moist materials at variable filling levels

For materials with explosive dust, tip speed less than 1 m/s!

The spiral mixing blade initiates a three-dimensional flow of the mixing goods; creating a spiral upward movement on the periphery and downward flow in the centre. This patented mixing tool provides very good mixing results.

It can be used for dry powder, and wet suspensions as well as liquids.



Dust Collector

Gear box covered by stainless steel on request

SinConvex® spiral blade (patented) with the advantages of complete discharge

Rotational washing nozzles, dismountable via sanitary flanges

Chopper to improve the mixing process by deagglomeration

Liquid lance sprays into the active chopper area

Mixtainer® can be equipped with a lid (Lid handling device available on request)



New!

SinConvex® spiral blade (patented) driven and supported from above with the advantage of complete discharge

Container Mixer, Model COM 2000

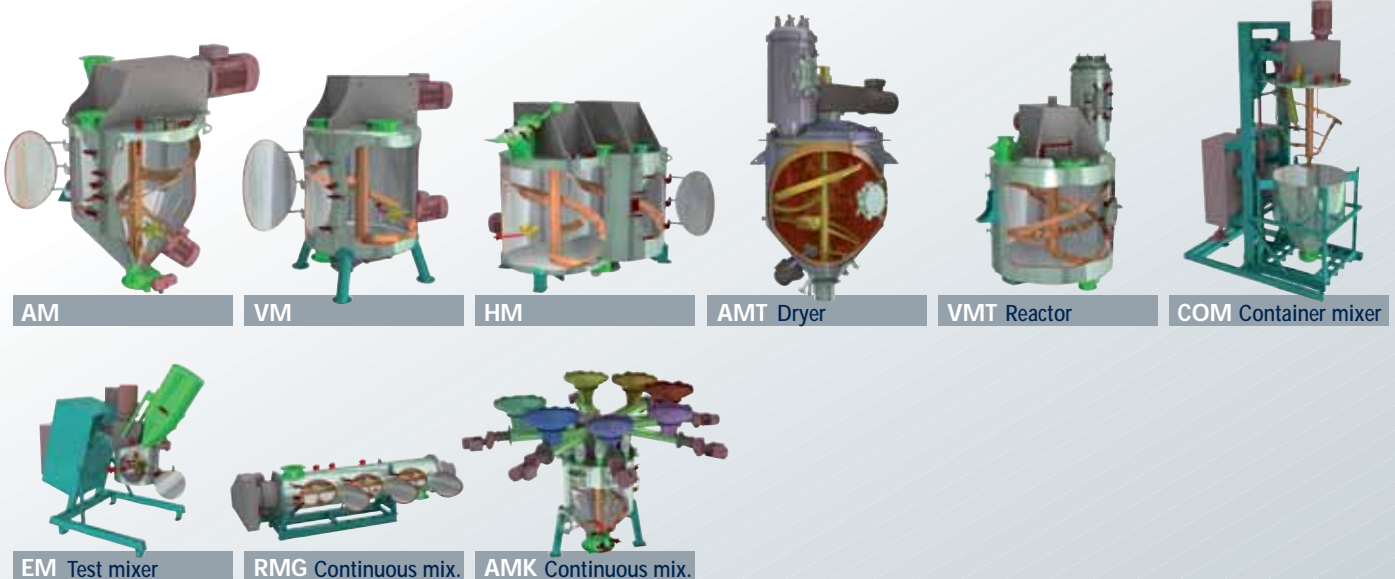
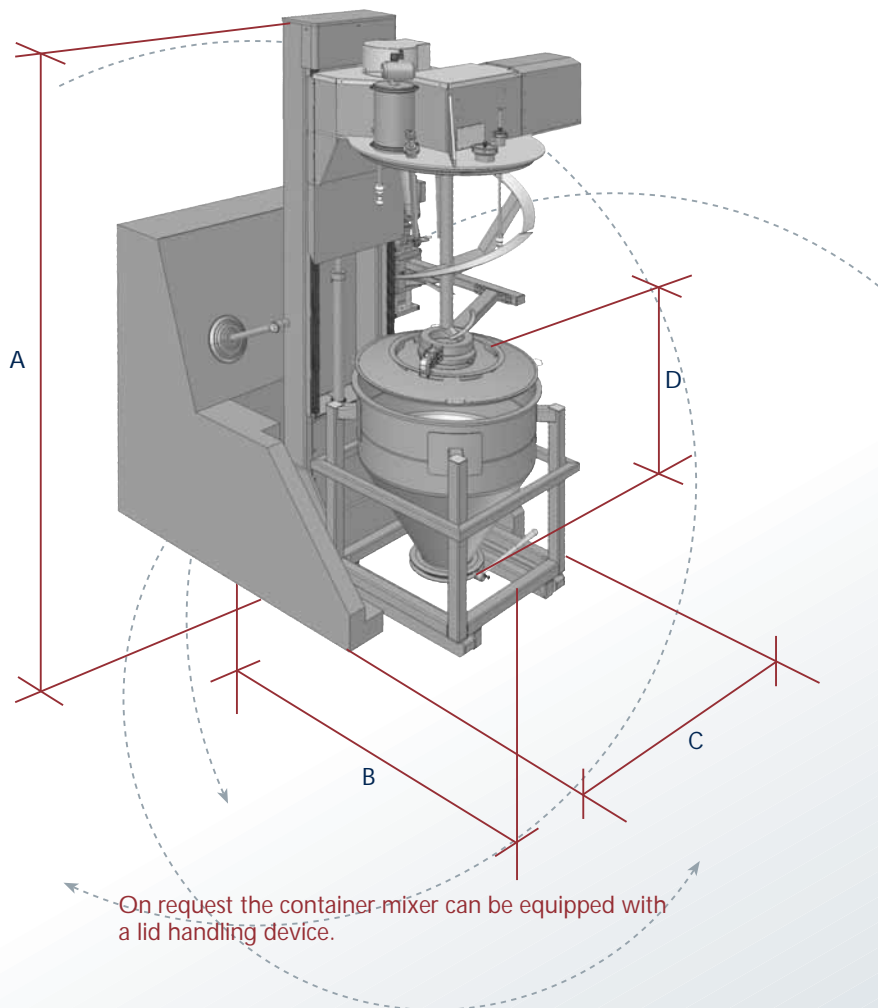


www.amixon.com

Container mixer, Model COM

Model	ca. dimensions in mm, ca. weight in kg				
	A	B	C	D	Weight
100	2200	1100	1000	1000	1200
200	2700	1600	1200	1200	1670
400	3200	2100	1400	1400	2880
600	3700	2600	1500	1500	3500
700	3900	2725	1575	1575	3675
800	4100	2850	1650	1650	3850
1000	4500	3100	1800	1800	4200
1200	4750	3250	1900	1900	5350
1500	5000	3400	2000	2000	6500
1700	5250	3550	2100	2100	7250
2000	5500	3700	2200	2200	8000

Interim sizes are offered in 100 litre steps. Bigger mixers up to 6000 litres are available on demand. Depending on the user needs the mixer weight may be lower or higher. Please ask for individual dimension sheets.



amixon® test laboratories are available in Paderborn, Germany, in Memphis, USA and in Osaka, Japan. On request amixon can prepare detailed qualification documents.

We reserve the right to make changes due to progress in process engineering and manufacturing technology.
© by amixon GmbH, Paderborn. Reprinting or transfer to electronic media only permitted after written approval.

amixon® GmbH

Halberstädter Straße 55
D-33106 Paderborn (Germany)

Phone +49 (0) 52 51 / 68 88 88-0
Fax +49 (0) 52 51 / 68 88 88-999
e-mail info@amixon.de

www.amixon.com